

Rota-Grid Magnet



High Intensity – Rare Earth

Technical Data

Datasheet No. 514



The Eclipse Magnetics high intensity magnetic Rota-Grid separator has been designed specifically to process difficult products that are prone to bridging and/or caking.

The unit contains a centrally mounted magnetic 'rota' assembly: numerous 'Easy Clean' magnetic rods are arranged in a 'wheel' around and parallel to the axis of rotation. The number of rods used depends on the inlet and outlet size.

The assembly rotates, gently agitating the product being processed. It is this agitation that prevents blockages occurring.

All dry and semi-dry powders and granular type materials, such as starch etc., can be processed through the unit. The Rota-Grid can be supplied to the most stringent of standards, such as required in the pharmaceutical industry (see Fig. A).

Cleaning

As the Rota-Grid uses the Eclipse Magnetics 'Easy Clean' system, cleaning can be completed in a matter of minutes.

To clean, simply remove the door and remove the assembly from the housing. Remove the magnetic cores from the assembly. All attracted contamination will then be released allowing for inspection or further analysis.

Suitable Products

Dry and semi-dry powders and granulates, starch, protein etc.

Suitable Locations

Any vertical process line.

Benefits

- Easy to clean
- Allows difficult products to be screened
- Reduces 'spark' risk
- Removes sub-micron sized contaminants
- Meet audit requirements
- Rare earth 9.000 Gauss

Category

Secondary.

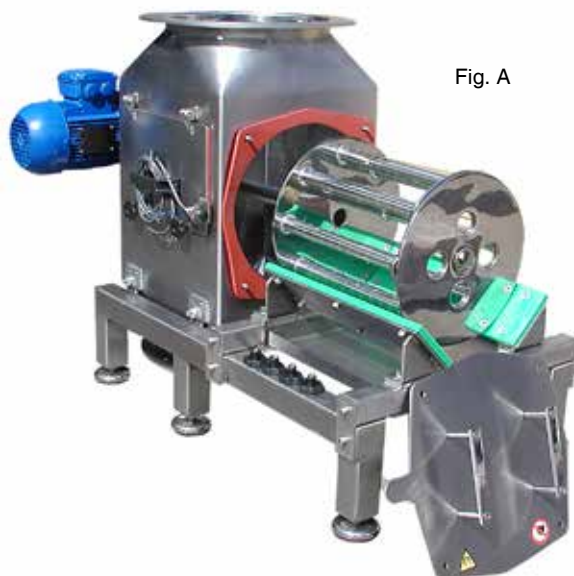


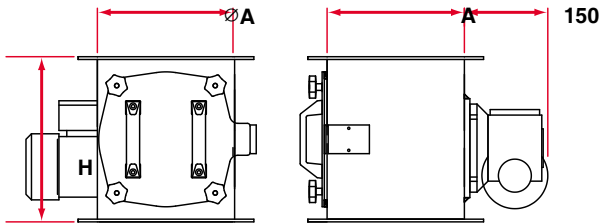
Fig. A

Rota-Grid Magnet

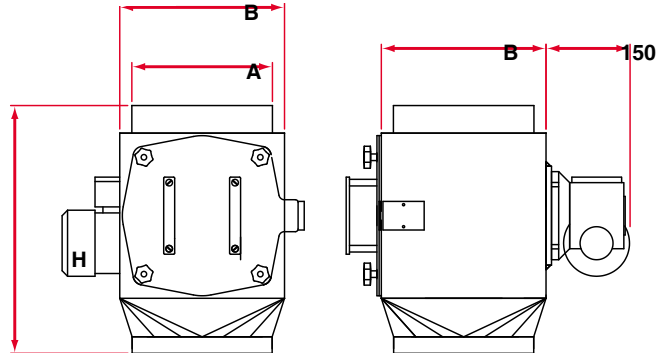


High Intensity – Rare Earth

Round



Square



Sizes

Part No.	Spout A	Width x Depth B	Height H	kW rating	No. Rods	Weight (kg)
RG200	200 mm / 8" Ø	250 x 250	450	0.25	6	35
RG250	250 mm / 10" Ø	300 x 300	500	0.25	7	44
RG300	300 mm / 12" Ø	350 x 350	550	0.25	9	55
RG350	350 mm / 14" Ø	400 x 400	600	0.25	10	68
RG400	400 mm / 16" Ø	450 x 450	650	0.25	13	82
RG2020	200 mm / 8" sq	200 x 200	250	0.18	5	26
RG2525	250 mm / 10" sq	250 x 250	300	0.25	6	33
RG3030	300 mm / 12" sq	300 x 300	350	0.25	7	43
RG3535	350 mm / 14" sq	350 x 350	400	0.25	9	54
RG4040	400 mm / 16" sq	400 x 400	450	0.25	10	67

All dimensions in mm

Performance

Magnetic performance

7.000 Gauss - standard strength
9.000 Gauss - high strength

Performance reading

On tube surface

Magnetic material

Rare earth neodymium iron boron

Magnet grade

N45 – Inspected and confirmed via hystergaph prior to use

Temperature

-20°C / +60°C

Electrical Spec

415 / 380 Volts industrial three phase IP65 rated motor gearbox

Material

Housing

316 grade stainless steel

Tubing

316 grade stainless steel – aerospace quality

Other Parts

316 grade stainless steel

Surface finish

Brushed internally / externally to 1.2µm

Sealing

Self adhered white foam

Tri-cone Nuts

Stainless steel and moulded plastic

Options

Stainless steel toggle clamps

High temperature samarium cobalt magnetic material +250°C

11.000 Gauss fixed grid

Overpressure to + / - 5 Bar

304 grade stainless steel

Pharmaceutical specification

ATEX certified

Metal detectable silicon rubber seal – dark blue, FDA approved

Flanged to suit

Mobergs Produktkontroll AB

+46 (0)40-680 80 60 info@mobergs.se www.produktkontroll.se