

Auto-Rota Shuttle



High Intensity – Rare Earth

Technical Data

Datasheet No. 515



The Eclipse Magnetics Auto-Rota Shuttle combines the benefits of the Eclipse Magnetics Auto-Shuttle and Rota-Grid unit in one. The Auto-Rota Shuttle enables screening of difficult bridging and or caking products 24/7 without the need for manual intervention. The system can even carry out a full clean without the need to stop the process enabling continuous production.

The unit is supplied with a pre-programmed PLC that can either work independently or connected to the central control rooms system for remote activation or monitoring etc.

The full system remains air tight throughout normal operation making it suitable for environments where ATEX equipment is required.

Cleaning

The magnetic cores remain in the process chamber. When a cleaning signal is given, compressed air is fed into each separator tube forcing the core to the other end of the unit.

The contamination follows the core, first through the product return chamber, which prevents loss of good product, and into the cleaning chamber, where the collected contamination is deposited.

The cleaning chamber is fitted with a transition piece, which allows a collection container to be fitted. This container is removed to assess the collected contamination.

Suitable Products

Dry and semi-dry powders and granulates, starch, protein etc.

Suitable Locations

Any vertical process line.

Benefits

- Fully autonomous in operation
- Reduces 'spark' risk
- Suitable for control room connection
- Removes sub-micron sized contaminants
- Meet audit requirements
- Rare earth 9.000 Gauss
- Allows difficult products to be screened

Category

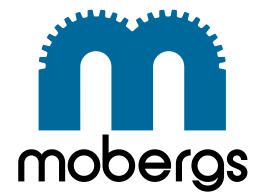
Secondary.



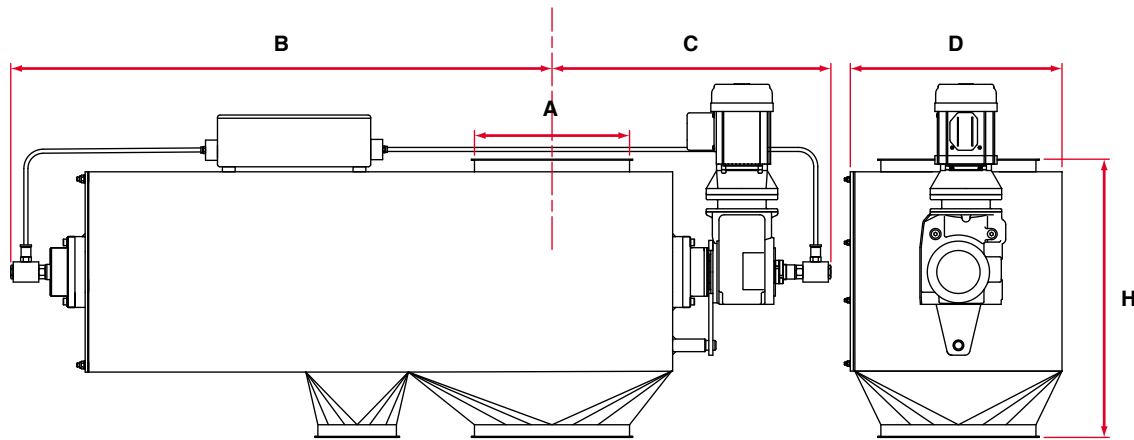
Reject chamber outlet

Product chamber outlet

Auto-Rota Shuttle



High Intensity – Rare Earth



Sizes

Part No.	Inlet / Outlet A	B	C	D	Height H	kW rating	No. Rods	Weight (kg)
Round								
ASRG150	150 mm / 6" Ø	815	475	250	400	0.18	5	90
ASRG200	200 mm / 8" Ø	915	500	300	450	0.18	6	105
ASRG250	250 mm / 8" Ø	1015	525	350	500	0.18	7	120
ASRG300	300 mm / 8" Ø	1115	550	400	550	0.18	9	135
ASRG350	350 mm / 14" Ø	1215	575	450	600	0.25	10	150
ASRG400	400 mm / 16" Ø	1315	600	500	650	0.25	13	165
ASRG450	450 mm / 18" Ø	1415	625	550	700	0.25	15	180
Square								
ASRG1515	150 mm / 6" sq.	815	475	250	400	0.18	5	88
ASRG2020	200 mm / 8" sq.	915	500	300	450	0.18	6	100
ASRG2525	250 mm / 10" sq.	1015	525	350	500	0.18	7	112
ASRG3030	300 mm / 12" sq.	1115	550	400	550	0.18	9	126
ASRG3535	350 mm / 14" sq.	1215	575	450	600	0.25	10	142
ASRG4040	400 mm / 16" sq.	1315	600	500	650	0.25	13	155
ASRG4545	450 mm / 18" sq.	1415	625	550	700	0.25	15	168

All dimensions in mm

Performance

Magnetic performance	9.000 Gauss high strength
Performance reading	On tube surface
Magnetic material	Rare earth neodymium iron boron
Magnet grade	N45 – Inspected and confirmed via hystergaph prior to use
Temperature	-20°C / +60°C
Pressure	+ / - 0.2 Bar

Materials

Housing	316 grade stainless steel
Tubing	316 grade stainless steel – aerospace quality
Other Parts	316 grade stainless steel
Surface finish	Brushed internally / externally to 1.2µm
Sealing	Self adhered white foam
PLC	Crouzet, pre-programmed

Options

High temperature samarium cobalt magnetic material +250°C	
Siemens, Mitsubishi or Allen Bradley PLC	
304 grade stainless steel	Pharmaceutical specification
ATEX certified	Metal detectable silicon rubber seal – dark blue, FDA approved
Flanged to suit	