

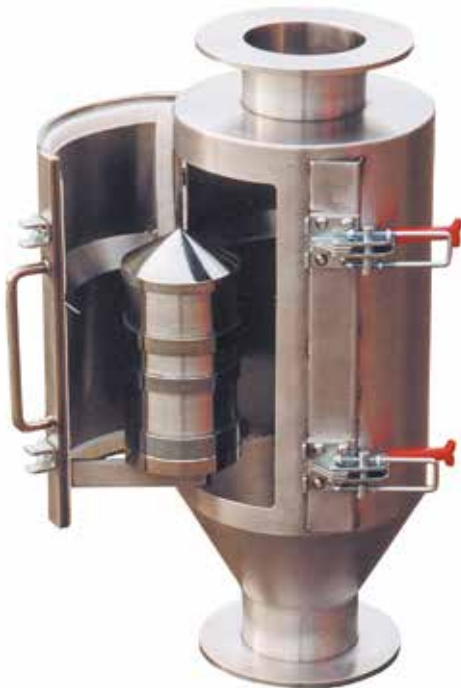
Bullet Magnet

High Intensity – Rare Earth

Technical Data



Datasheet No. 516



Housed Bullet magnets are ideal for the removal of tramp type contamination, for example nuts, bolts, staples etc., from gravity and pneumatically conveyed pipelines.

The unit is designed to prevent tramp iron from damaging expensive process machinery such as blenders, granulators, mixers and screw feed conveyors.

A high intensity magnetic bullet element is centrally mounted within a stainless steel housing. The design ensures that product flow is unaffected by the magnetic element.

The bullet element incorporates high intensity rare earth magnetic material which generates deep penetrating magnetic flux fields which ensure contamination is captured. The angled nose cone assists in maintaining product integrity and full flow during processing.

All dry powders and granular type materials can be processed through the unit. Electrical safety interlocks can be fitted to the magnetic packs to stop the process should they be accidentally opened.

Cleaning

The Eclipse Magnetics Bullet Magnet is cleaned by hand. Simply release the door securing toggle clamps and open the door to gain access to the bullet element. All attracted contamination can now be removed. It is advisable to wear protective gloves to avoid any injuries from sharp attracted items.

Suitable Products

Dry powders and granulates, grain and 'lumpy' products.

Suitable Locations

Inlet / outlet points.

Benefits

- Easy to inspect
- Maintains full flow
- High collection capacity
- Reduces 'spark' risk
- Removes 'tramp' sized contaminants
- Meet audit requirements
- Rare earth deep magnetic field

Category

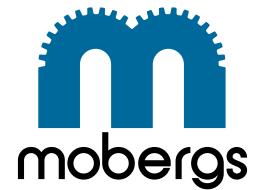
Primary.



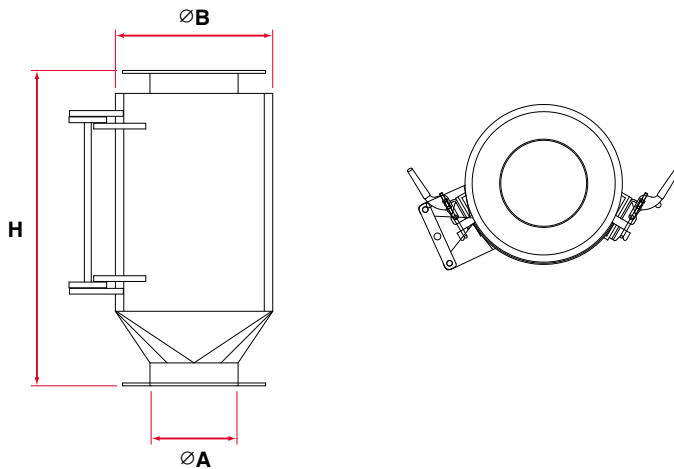
Bullet Magnet

High Intensity – Rare Earth

Technical Data



Datasheet No. 516



Sizes

Part No.	Inlet / Outlet A	Dia. B	Height H	Weight (kg)
HBM075	75 / 3" Ø	200	490	16
HBM100	100 / 4" Ø	225	490	22
HBM125	125 / 5" Ø	250	550	33
HBM150	150 / 6" Ø	275	550	46
HBM175	175 / 7" Ø	300	640	60
HBM200	200 / 8" Ø	325	640	105
HBM250	250 / 10" Ø	375	710	160
HBM300	300 / 12" Ø	425	710	210

All dimensions in mm

Performance

Magnetic performance

9.000 Gauss

Performance Reading

On magnetic pole surface

Magnetic material

Rare earth neodymium iron boron

Magnet grade

N35 – Inspected and confirmed via hystergaph prior to use

Temperature

-20°C / +90°C

Pressure

+ / - 0.8Bar

Materials

Housing

304 grade stainless steel

Other Parts

304 grade stainless steel

Surface finish

Bead blast

Sealing

Self adhered white foam

Toggle Clamps

Mild steel – bright zinc plated

Options

Stainless steel toggle clamps

High temperature samarium cobalt magnetic material, +250°C

Sizes up to 500mm Ø

Metal detectable silicon rubber seal – dark blue, FDA approved

316 grade stainless steel

Flanged to suit

Safety relay switches

Ceramic magnetic material

Mobergs Produktkontroll AB

+46 (0)40-680 80 60 info@mobergs.se www.produktkontroll.se



FM31278



A Spear & Jackson Company