

Liquid Filter Magnet



High Intensity – Rare Earth

Technical Data

Datasheet No. 518



Standard Design



Bespoke Design

The Eclipse Magnetics high intensity Liquid Filter magnetic separator has been designed to operate in pressurised transfer lines to provide protection against ferrous and para-magnetic contamination.

The housing comprises a vessel, magnetic lid assembly and band clamp, which secures the unit together. The filter is available in two versions, single wall and double wall (jacketed for heated pipelines).

The filter can be used in any line that processes liquids at all viscosity levels and can be installed at any angle from vertical to horizontal. A common installation location is tanker loading and discharge to inspect outgoing and incoming materials.

The filter can be supplied to suit various processing volumes, pressures, temperatures and specifications.

Cleaning

The filter uses the Eclipse Magnetics 'Easy Clean' system.

To clean, simply release the quick release band clamp, remove the contaminated cartridge from the housing and remove the magnetic cores from the tube assembly. All attracted contamination can be easily removed allowing for inspection or further analysis.

Suitable Products

Chocolate, molasses, jam, syrup, juice, sauce, pastes, soup, pickles, spreads, beverages etc.

Suitable Locations

All, vertical, horizontal or angled.

Benefits

- Easy to clean
- Removes sub-micron sized contaminants
- Meet audit requirements
- Rare earth 9.000 Gauss
- No consumables
- No pressure drop

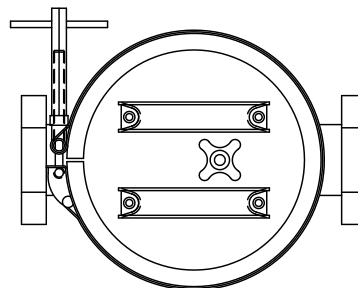
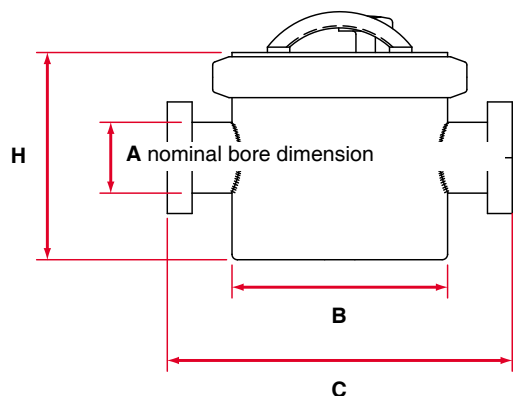
Category

Secondary.

Liquid Filter Magnet



High Intensity – Rare Earth



Sizes						
Part No.	Spout dia. A (mm / inches)	Dia. B	Length C	Height H	No. Rods	Weight (kg)
Single wall						
ILF200 / 50	50 / 2"	200	350	200	7	22
ILF200 / 75	75 / 3"	200	350	200	7	22
ILF300 / 50	50 / 2"	300	450	300	9	36
ILF300 / 75	75 / 3"	300	450	300	9	36
ILF300 / 100	100 / 4"	300	450	300	9	36
Jacketed						
ILF200 / 50 / J	50 / 2"	200	350	200	7	22
ILF200 / 75 / J	75 / 3"	200	350	200	7	22
ILF300 / 50 / J	50 / 2"	300	450	300	9	36
ILF300 / 75 / J	75 / 3"	300	450	300	9	36
ILF300 / 100 / J	100 / 4"	300	450	300	9	36

All dimensions in mm

Performance

Magnetic performance

9.000 Gauss high strength

Performance reading

On tube surface

Magnetic material

Rare earth neodymium iron boron

Magnet grade

N45 – Inspected and confirmed via hystergaph prior to use

Temperature

-20°C / +90°C

Pressure

+ / - 6 Bar

Materials

Housing

316 grade stainless steel

Tubing

316 grade stainless steel – aerospace quality

Other Parts

316 grade stainless steel

Surface finish

Brushed internally / externally to 1.2µm

Sealing

silicon rubber O-ring, brown

Band Clamp

304 grade stainless steel

Options

Stainless steel handles

High temperature samarium cobalt magnetic material +250°C

11.000 Gauss fixed design

Overpressure to 30 Bar

304 grade stainless steel

Pharmaceutical specification

ATEX certified

Flanged to suit

Safety relay switch

Mobergs Produktkontroll AB

+46 (0)40-680 80 60 info@mobergs.se www.produktkontroll.se