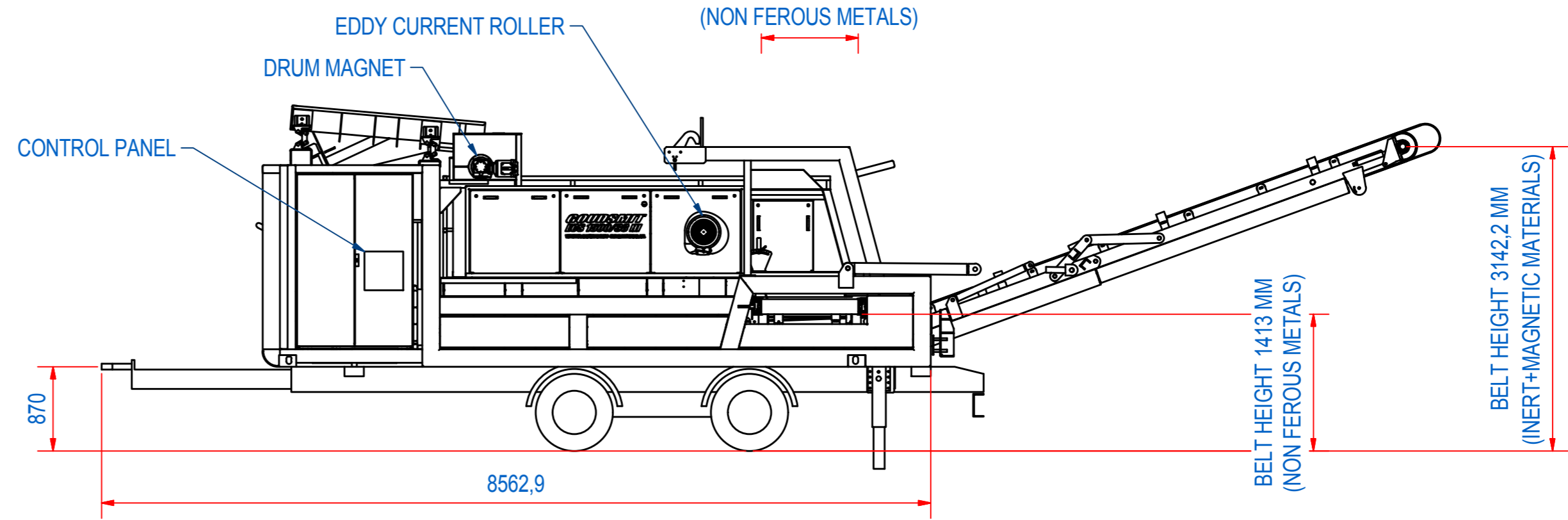
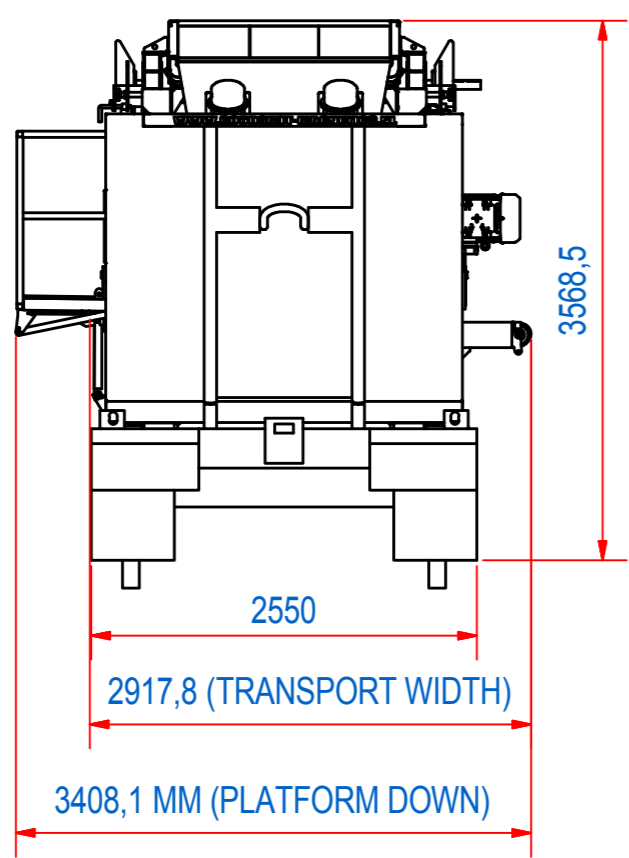
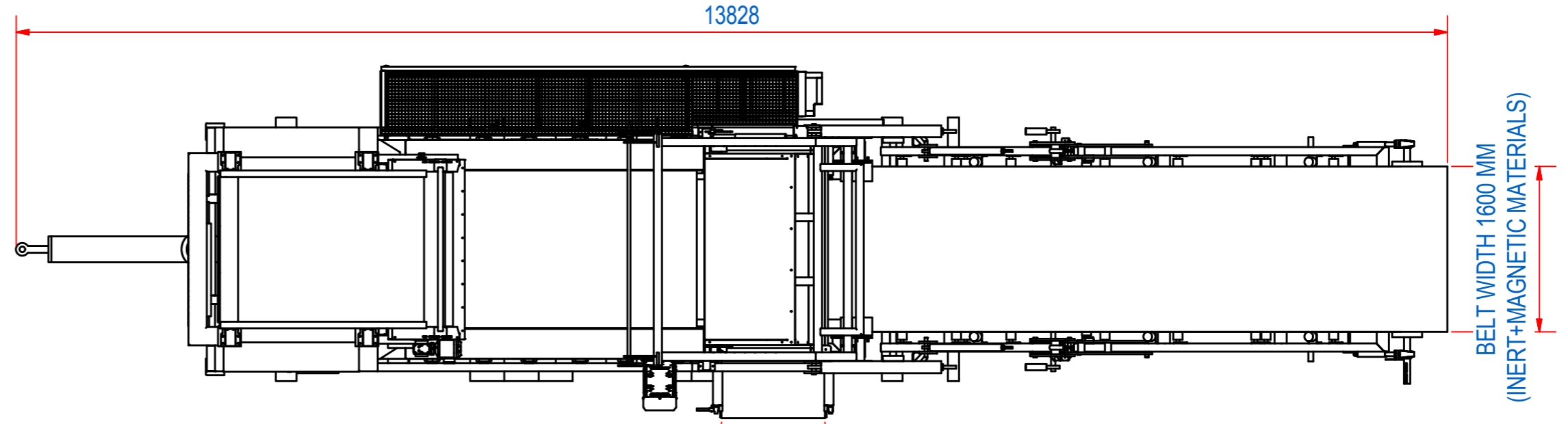
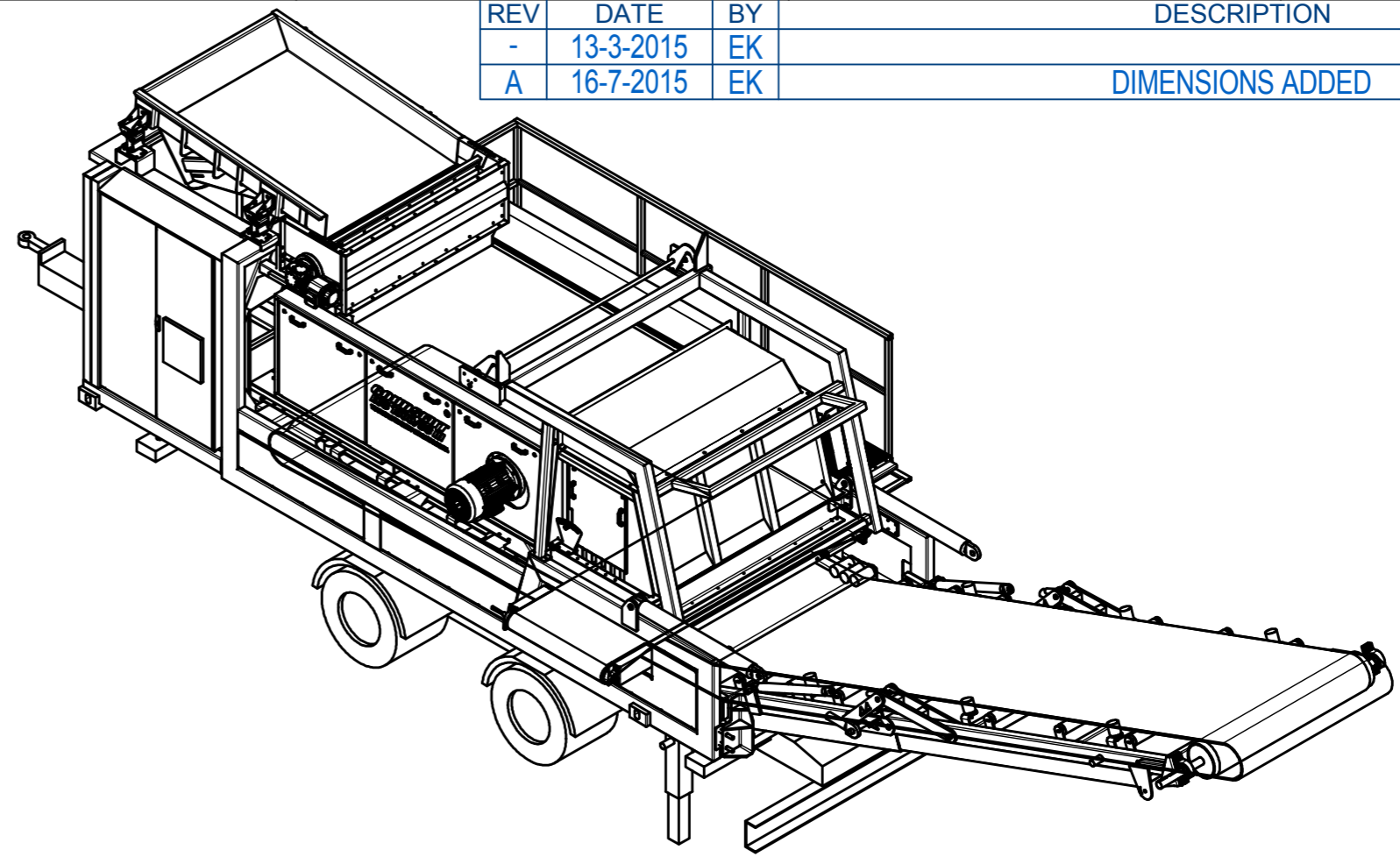
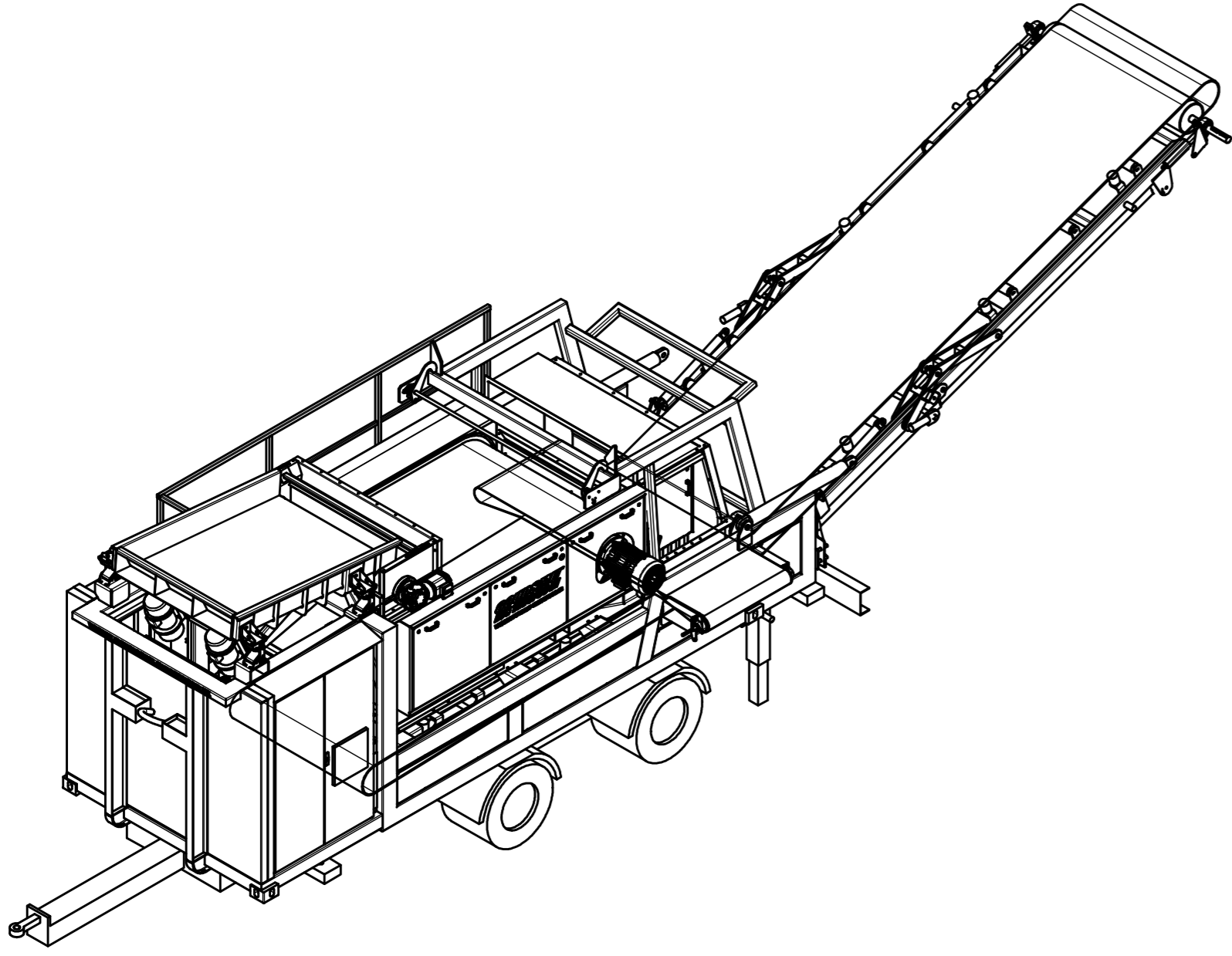


REV	DATE	BY	DESCRIPTION
-	13-3-2015	EK	
A	16-7-2015	EK	DIMENSIONS ADDED



RAW MAT.	1	QTY	MAT. NUMBER	MAT. DESCRIPTION	LENGTH (mm)	WIDTH (mm)
Sheet: A2		Extra info:		General tolerance: ISO 2768 - mK		
Drawn: GS		Weight (kg): 13500		Drawn according: ISO268; ISO1101; ISO2553		
Date: 3-2-2014		Spare part: False		Status: Released		
Quick search: SKID		<p>© All rights reserved. Reproduction is not permitted without written permission of GOUDSMIT Magnetic Systems BV</p>		Customer reference number:		
Description: SKID TRAILER ASSY 1STE UITVOERING				Document number: E0030986		Doc.Rev: A
		Part number: E0030988		Rev: A		